

**Receiver**

**From**

Company  
Reference  
Address  
Phone  
Fax  
E-mail

**Item n° :** Customer pos. no.:

102660020

**Model :**

JET 82 M

**Pump data**

Pressure rating : 6 bar

Min. fluid temperature : 0 °C

Max. fluid temperature : 35 °C

Max. Ambient temperature : 40 °C

**Priming capacity :**

H m	2	3	4	5	6	7	8	9
Q l/min	51	46	41	38	32	29	22	17

**Requested data**

Flow :

Head :

Fluid : Water

Fluid Temperature : 20 °C

Density : 998,3 kg/m<sup>3</sup>

Kinematic viscosity : 1,005 mm<sup>2</sup>/s

Vapor pressure : 0,02 bar

**Hydraulic data (duty point)**

Flow :

Head :

**Materials**

Pump body Cast iron 200 UNI ISO 185

Support Die cast aluminium

Impeller Technopolymer A

Mechanical seal Carbon/Ceramic

O-Ring NBR Rubber

Shaft with rotor AISI 416 X12 CrS 13 UNI 6900/71

Nozzle venturi diffuser assembly Technopolymer A

**Motor data**

Motor brand : DAB

Nominal power P2 : 0,6 kW

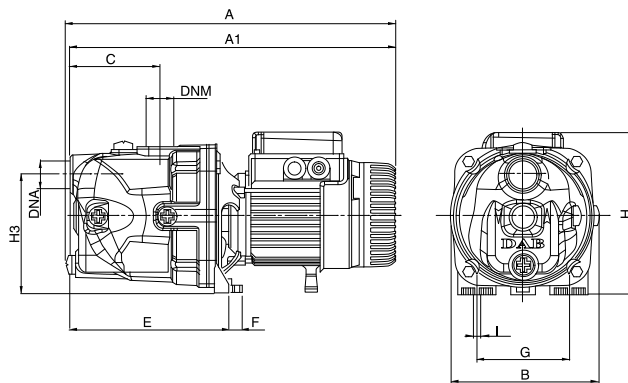
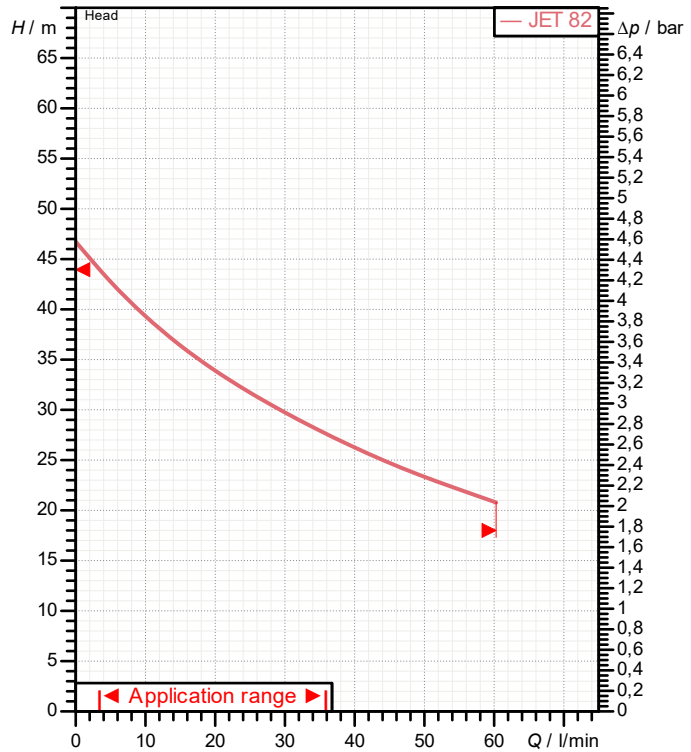
Rated speed : 2.750 rpm

Rated voltage : 1~ 220-240 V 50 Hz

Nominal current : 3,8 A

Degree of protection : IP 44

**Curve tolerance according to ISO 9906**



**Dimensions in mm**

A	395	DNA	1" G	G	111		
A1	395	DNM	1" G	H	193		
B	178	E	192	H3	144		
C	108	F	14	I Ø	9		

**Weight :** 10,7 kg

**Pump connection**

Suction side : 1" G / 6 bar  
Discharge side : 1" G / 6 bar



# PERFORMANCE CURVES

2025-03-05

Page 2 / 3

DAB PUMPS S.p.A.  
Via Marco Polo, 14 - 35035 Mestrino (PD), Italy  
Tel. +39 049 5125000 - Fax +39 049 5125950  
www.dabpumps.com

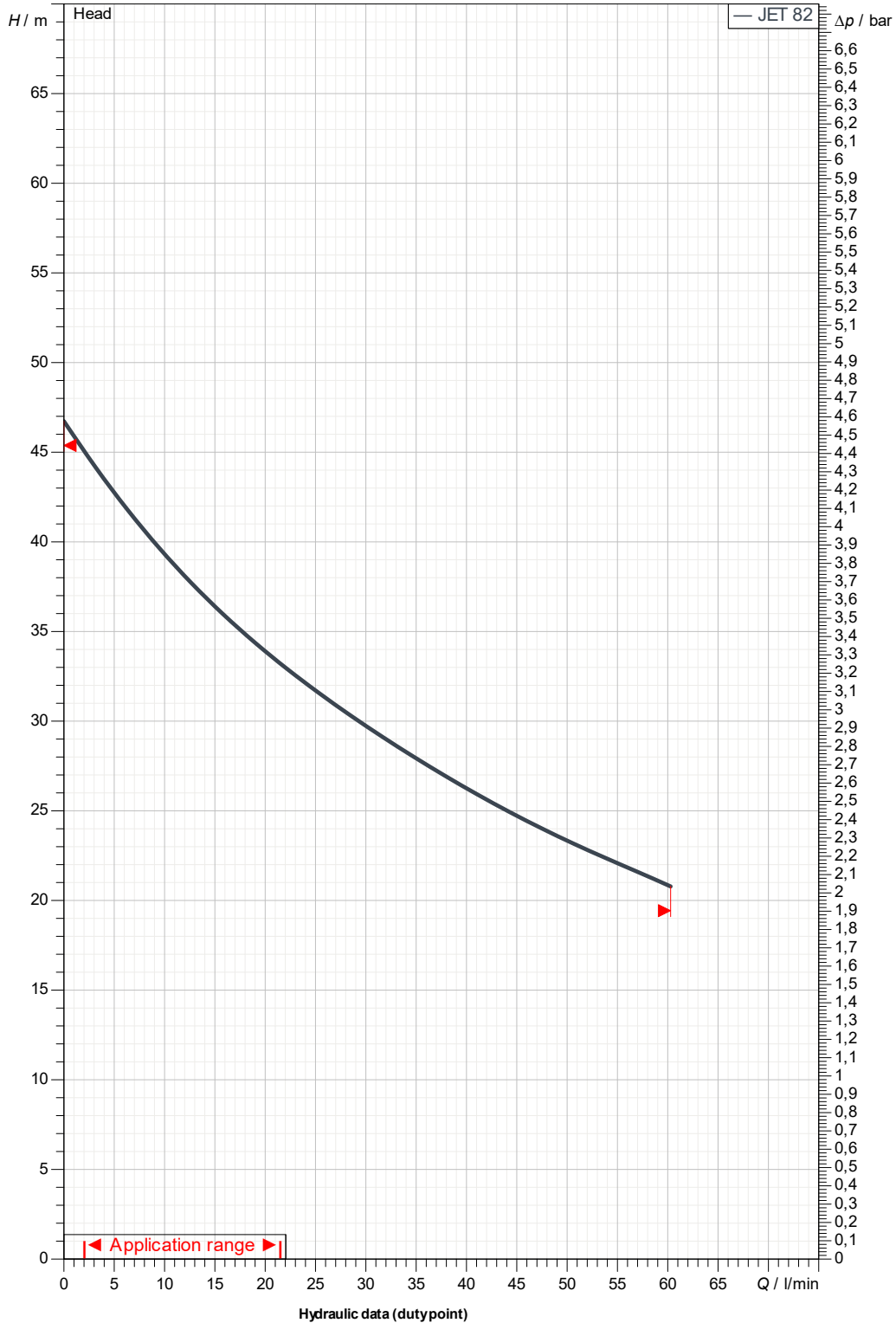
Receiver

From

Company  
Reference  
Address  
Phone  
Fax  
E-mail

## JET 82 M

Curve tolerance according to ISO 9906



Suction side :  
1" G  
6 bar

Discharge side :  
1" G  
6 bar

Flow :

Head :

Rated speed :  
2.750 rpm

Project

Project ID

Created by

Created on

2025-03-05



# DIMENSIONAL DRAWING

2025-03-05

Page 3 / 3

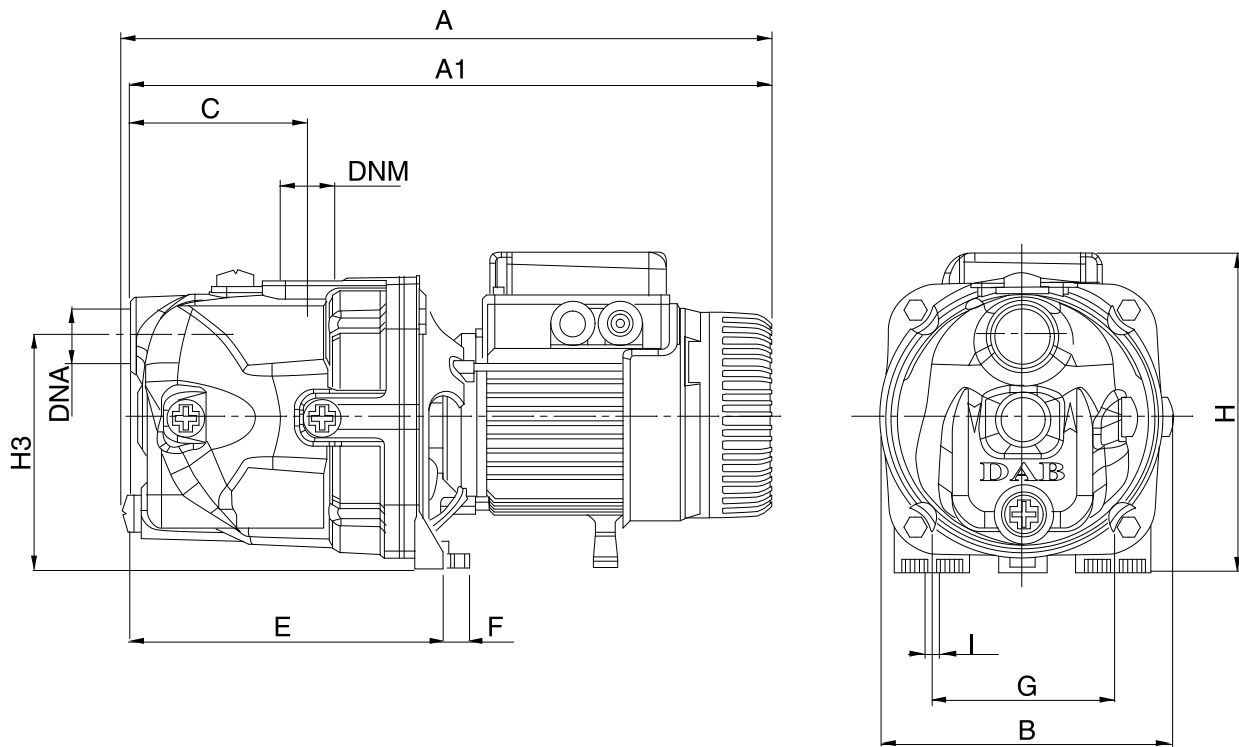
DAB PUMPS S.p.A.  
Via Marco Polo, 14 - 35035 Mestrino (PD), Italy  
Tel. +39 049 5125000 - Fax +39 049 5125950  
www.dabpumps.com

Receiver

From

Company  
Reference  
Address  
Phone  
Fax  
E-mail

## JET 82 M



**Dimensions in mm**

**Pump connection**

1	A	395	1 Ø	9			
2	A1	395					Suction
3	B	178					1" G
4	C	108					6 bar
5	DNA	1" G					
6	DNM	1" G					
7	E	192					Discharge
8	F	14					1" G
9	G	111					6 bar
10	H	193					
11	H3	144					

Project	Project ID	Created by	Created on
			2025-03-05